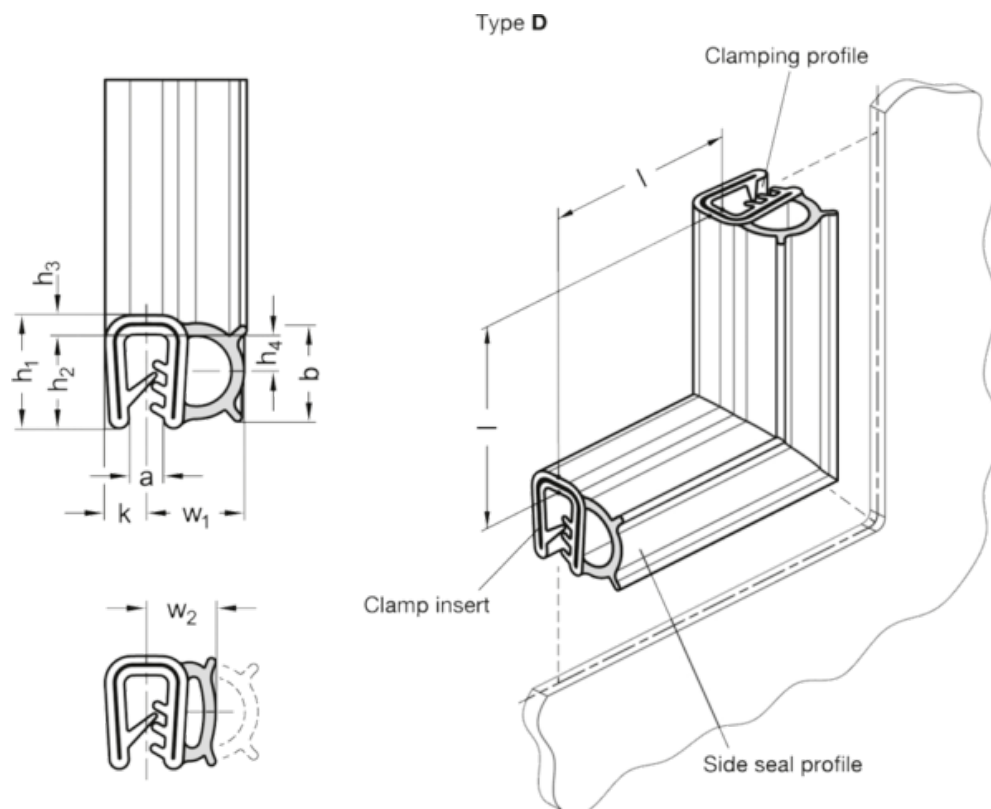


Article number: 202181NBR13D250

Description: E+G Edge protection seal GN 2181-NBR-13-D-250

Measures



a = 1 - 3.5

b = 11

h1 = 13

h2 = 10.75

h3 = 2.25

h4 = 4.5

l = 250 ±2.5

k = 4.75

w1 = 11.25

w2 up to 50% deformation = 8.75

Weight in (g) = 70